

# BR 20 PRO

GOLD AND METAL DETECTOR



**USER  
MANUAL**

**LONG  
RANGE**

**BR 20 PRO**

**User Manual**

## Safety information:

The components used in this device are subject to damage. Therefore, please adhere to the following information to maintain your safety and the device safety.

Before you start using the device, please read the manual carefully several times and understand it well, because the wrong use of the device may lead to damage or harm to the device.

You must pay attention and adhere to all information and warnings in the user manual before operating the device.

When assembling the device, make sure that all parts are connected correctly. And in case you need any assistance during the installation process, please contact the technical support team and ask for assistance.

After you have finished using the device, please return the device to its case to protect it from any possible damage.

The device must be stored in an environment free from negative electrical charges, away from moisture, and at a temperature below 50°C.

Turn off the device completely before saving it.

Make sure that the electrical socket provides the same voltage

## Safety information:

indicated on the charger before plugging the charger into the socket.

If any of the following things happen, please contact the technical support team and request assistance:

- 1- A liquid substance penetrated the device
  - 2- The device was exposed to high humidity
  - 3- The device does not work well or you cannot operate it according to the user manual
  - 4- In the event that the device is dropped and damaged
  - 5- If there is a clear sign of damage or harm to the device
- Please keep the user manual for future reference.

## Introduction

Thank you for your trust and purchase of BR devices  
BR devices known worldwide for their efficiency in the field  
of metal detection and locating gold and treasures with high  
accuracy, now in your hands. This device will provide you with  
the most accurate and best results during the search process  
and you will be able to track the location of your target easily and  
quickly, because BR devices are equipped with the latest and best  
systems in this field.

For best results, please follow the information in this guide  
accurately and correctly to reach your target.

## Technical specifications

The BR 20 PRO is one of the newly developed devices by BR Systems, a well-known company in the field of metal detectors.

This version of the device outperforms its predecessors by providing greater capabilities and high-precision results

Screen : colorful screen 4.3 inch (480\*272 pxl)

Battery : Li-ion Battery 7800 mAh/3.7 V – 20 hours.

Charger : USB – PD

Languages : English – French – Arabic – Spanish – Turkish – German

Casing : Safety suitcase designed especially for BR20 PRO components and parts.

Warranty : Three years real warranty.

The BR 20 PRO features Long-range search system: that has proven its effectiveness and ability to pinpoint targets, locations and depth with high accuracy

The front distance that the device reaches: 500 meters

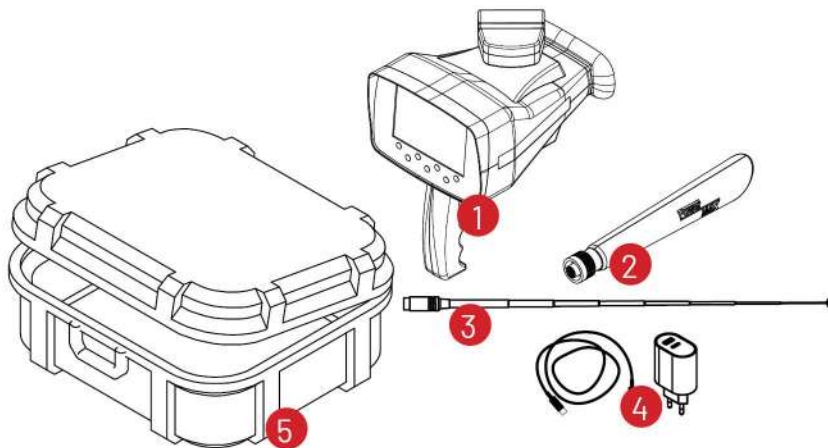
Maximum depth: 10 meters

Targets: Gold, Gold Nugget, Cavity, Precious Metals and Custom Target.

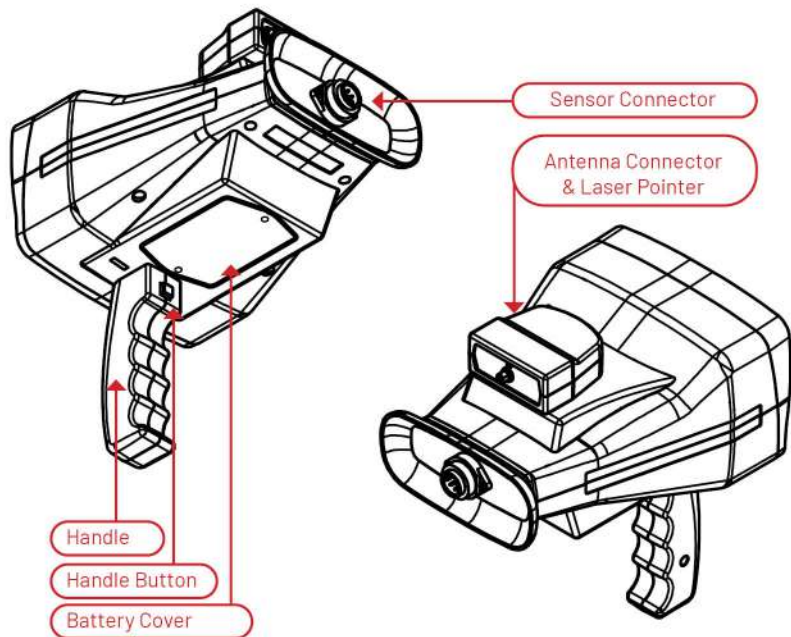
## Package Contents and Components

The BR 20 PRO complete package contains:

- 1-Main unit
- 2-Highly polarized sensor
- 3-Antenna
- 4-USB PD charger (TYPE C - 18W-3A)
- 5-Shock-resistant plastic bag

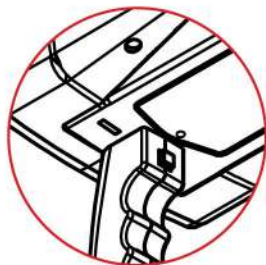


## Device overview





## Keys & Buttons



Power Button hold down to start or turn off the device, hold down for 15 seconds to force shut off the device.



OK confirms and selects options in the menus.



Back button cancels or retreat to previous page.



Left, Down, Up and Right buttons navigate through options and menus.

Handle Button activates Laser pointer and control search features.

## Settings

Press UP in the search menu and then OK to go to the device settings where you can browse the parameters and current setting values controlling the device.



Navigate through the menu using the arrow keys and press OK to enter the selected settings interface.



## Settings

### Display

Increase or decrease screen brightness and choose the power mode.

Brightness: There are two options, either light or dark mode

Idle mode: The option can be selected between 15, 30, 45, 60 seconds to save energy and provide the ability to work for a longer time on the device



### Sound

You can move the left and right buttons to increase or decrease the volume and

Turn on and off vibrate mode.



## Settings

### Time and date

The time and date can be easily adjusted via the directional buttons to increase and decrease values.



### Language

The device contains 6 vlanguages: Arabic - English - French - German - Spanish - Turkish



## Settings

### Device Info

Shows manufacturer, the device model and Software version



### Reset device

Enables you reset the device.



## Settings

### Battery information

It is complete information about the battery, such as the battery capacity, the amount of power consumption and the temperature of the battery to ensure the safety of the device and avoid any problem.



## User Interface Layout



- 1- Current search system header
- 2- Settings Icon: press Up to select it.
- 3- Sound Icon, it shows if the device is muted or unmuted.
- 4- Battery indicator, it shows if the battery health and charge status.
- 5- Time in 24 hours format.
- 6- Search parameters.

## Search systems (How To Use)

### Long-range system:

The system used in the search process in this device is the advanced and effective long-range search system.





## Search systems (How To Use)

The user can choose the target from the list of available targets:

Gold, Gold Nugget, Cavity, Precious Metals or Custom.

If Custom target is chosen, press OK and adjust the frequency to match the desired value using the arrow keys, then press OK again to confirm.

Then choose the search distance up to the maximum distance of the device (500m): 100m, 200m, 300m, 400m or 500m.

Then choose the search depth up to the maximum depth of the device (10m).

The user can turn on or off the laser pointer functionality. Press the handle button while searching to activate the laser.



## Search systems (How To Use)

First, to ensure that you get correct results, you must stay away from all influences that may affect the validity of the search results, such as metal debris, cars, electrical wires, and high voltage lines near the device.

The search should be at least 200 meters away of previously mentioned objects.

The user has to point the device towards the south because the static electric fields send their waves from north to south.

After specifying all the options from the type of target, the front search distance to be searched, the depth you want to reach, and the appropriate frequency, the device must be held in the correct way as it is parallel to the ground and the arm is at a right angle against the chest.



## Frequency Adjustment

The device is pre-programmed to its targets.

According to the searching area requirement the operator can adjust the frequency for the search by pressing Left and right in while the search is started.

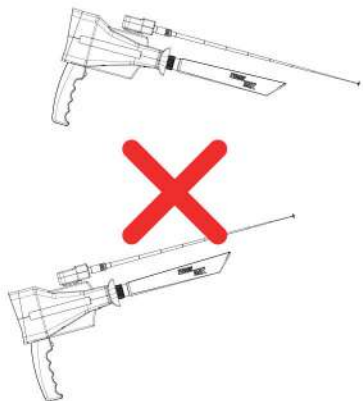
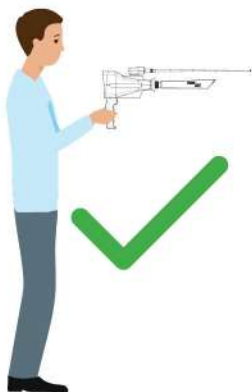
For example let's explain how this tuning is done for gold. At your searching area, bury a couple of gold objects ( can be any carat, for example 18 carat) gold coins, bracelets, chains etc and there is no need to bury them very deep for tuning.

Turn on the detector and come to the gold program then press enter for a couple of seconds after that the tuning screen will be on as on the figure, you will see that you can decrease or increase the searching frequency by at most 10 Hz with the left right arrow buttons. In other words every tuning grade changes the frequency about 1 Hz.

Gold's main frequency is 5000Hz as default. If you tune it to +5, frequency will increase about 5Hz and to 5005Hz. or for example if you tune it to -10, the frequency will decrease 10 Hz to 4990Hz. The operator must change the tuning and save the tuning when he/she gets the strongest response from the buried sample.

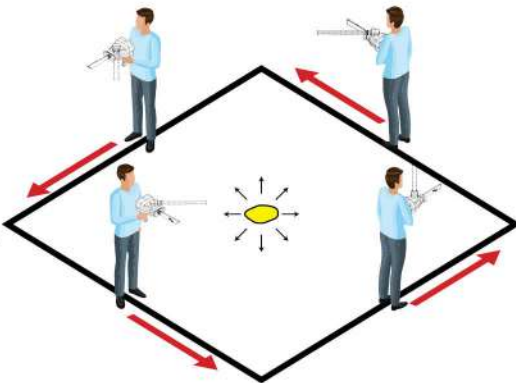
## Search systems (How To Use)

Press the start button, and then the device starts sending signals through the long-range signal transmitter, as these signals stimulate the static electric field of the specified target within the search field, if any, then the moving antenna begins to automatically attract towards those signals emitted by the target after repeating the search process from several directions The antenna points to the same target location each time the user has to use the box method to locate the target precisely.



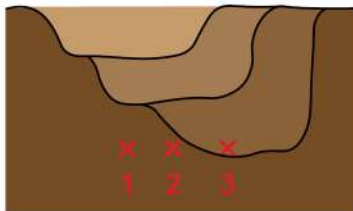
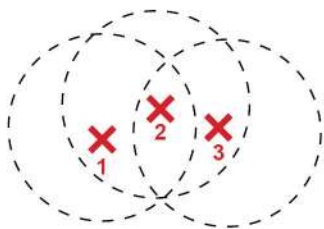
## Enclosing on target using the “box” method

This method helps to more accurately determine the position of the buried target. The researcher draws a square around the previously found target at a distance of 150 cm from the center. When the researcher's feet are in the same direction as the target, the external antenna moves towards the target. Make sure at each of the four corners that the antenna is pointing in the same direction, and then you can know that the target you are looking for is the location of the signal that was placed and that the search process has been successfully completed.



## Determining target offset while drilling

In some problem areas, there may be errors in the target points that were identified with the indicator. For example, suppose we find an object at a depth of 3 meters when digging, after every half a meter the location of the target should be checked in a box manner, if there is an offset in the target, the drilling should be directed in that direction. This will take less time to dig and be more accurate. In similar areas, double-checking the target site with a normal coil detector will save more unnecessary drilling.



## Warranty Terms and Conditions

### A. Extent of limited warranty

1. BR SYSTEMS warrants to the end-user customer that the BR SYSTEMS product specified above will be free from defects in materials and workmanship for the duration specified above, which duration begins on the date of purchase by the customer.

2. For software products, BR SYSTEMS limited warranty applies only to a failure to execute programming instructions. BR SYSTEMS does not warrant that the operation of any product will be interrupted or error free.

3. BR SYSTEMS limited warranty covers only those defects that arise as a result of normal use of the product, and does not cover any other problems, including those that arise as a result of:

- a. Improper maintenance or modification;
- b. Software, media, parts, or supplies not provided or supported by BR DETECTION;
- c. Operation outside the product's specifications;
- d. Unauthorized modification or misuse.



## Warranty Terms and Conditions

4. For BR SYSTEMS products, the use of a non-BR SYSTEMS accessories does not affect either the warranty to the customer or any BR SYSTEMS support contract with the customer, However, if product failure or damage is attributable to the use of a non-BR SYSTEMS accessory, BR SYSTEMS will charge its standard time and materials charges to service the product for the particular failure or damage.

5. If BR SYSTEMS receives, during the applicable warranty period, notice of a defect in any product which is covered by BR SYSTEMS warranty, BR SYSTEMS shall either repair or replace the product, at BR SYSTEMS' option.

6. You can request warranty services through BR SYSTEMS or any approved seller or distributor.

7. In case of maintenance inquiry, you can request maintenance through our approved sellers or agents and the customer shall pay only shipping costs during warranty period.



## Warranty Terms and Conditions

8. This Warranty Card will not be considered as valid until the customer fill the registration form on BR SYSTEMS TECHNOLOGY'S website, and warranty begins on date of purchase mentioned on warranty card.

Online Registration Form Link; <http://www.brdetector.com/register-check-guarantee/>

### B. Limitations of warranty

NEITHER BR SYSTEMS NOR ITS THIRD PARTY SUPPLIERS MAKES ANY OTHER WARRANTY OR CONDITION OF ANY KIND, WHETHER EXPRESS OR IMPLIED WARRANTIES OR CONDITIONS OF MERCHANTABILITY, SATISFACTORY QUALITY, AND FITNESS FOR A PARTICULAR PURPOSE.

### C. Limitations of liability

1. The remedies provided in this Warranty Statement are the customer's sole and exclusive remedies.

## Warranty Terms and Conditions

2. EXCEPT FOR THE OBLIGATIONS SPECIFICALLY SET FORTH IN THIS WARRANTY

STATEMENT, IN NO EVENT SHALL BR SYSTEMS OR ITS THIRD PARTY SUPPLIERS BE LIABLE FOR DIRECT, INDIRECT, SPECIAL, INCIDENTAL, OR CONSEQUENTIAL DAMAGES, WHETHER BASED ON CONTRACT, TORT, OR ANY OTHER LEGAL THEORY AND WHETHER ADVISED OF THE POSSIBILITY OF SUCH DAMAGES.

## Contact information

Mobile: +15208005005

Phone: +16029105755

Phone: +16022814566

Email: [Info@brdetector.com](mailto:Info@brdetector.com)

Website: [www.brdetector.com](http://www.brdetector.com)

# Contents

Safety information: -----	3
Introduction -----	5
Technical specifications -----	6
Device overview -----	8
Keys & Buttons -----	9
Settings -----	10
User Interface Layout -----	15
Search systems (How To Use) -----	16
Long-range system: -----	16
Enclosing on target using the "box" method ----	21
Determining target offset while drilling -----	22
Warranty Terms and Conditions -----	24

# ER SYSTEMS

**SCAN  
FOR INFO.**

